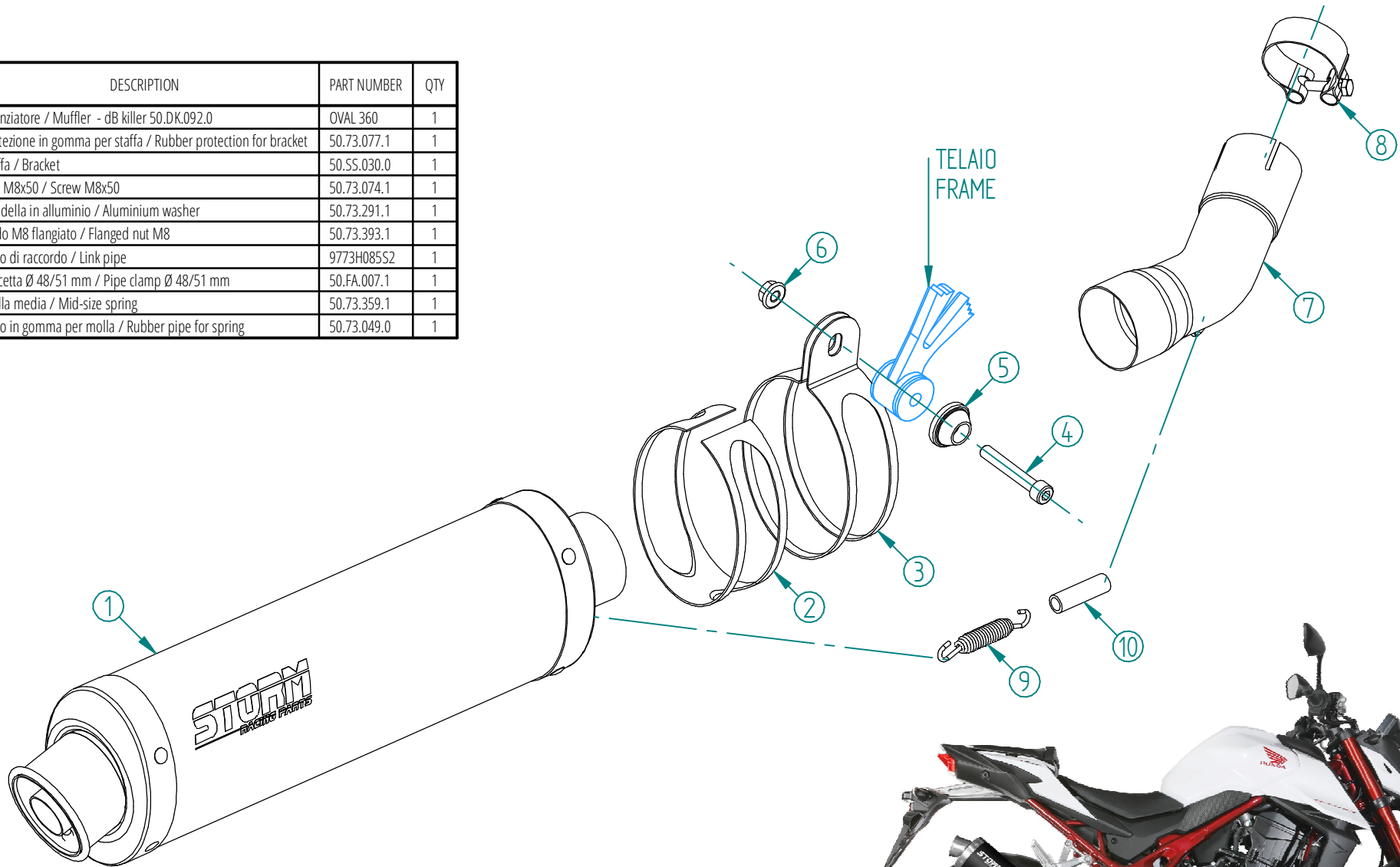


#	DESCRIPTION	PART NUMBER	QTY
1	Silenziatore / Muffler - dB killer 50.DK.092.0	OVAL 360	1
2	Protezione in gomma per staffa / Rubber protection for bracket	50.73.077.1	1
3	Staffa / Bracket	50.SS.030.0	1
4	Vite M8x50 / Screw M8x50	50.73.074.1	1
5	Rondella in alluminio / Aluminium washer	50.73.291.1	1
6	Dado M8 flangiato / Flanged nut M8	50.73.393.1	1
7	Tubo di raccordo / Link pipe	9773H08552	1
8	Fascetta Ø 48/51 mm / Pipe clamp Ø 48/51 mm	50.FA.007.1	1
9	Molla media / Mid-size spring	50.73.359.1	1
10	Tubo in gomma per molla / Rubber pipe for spring	50.73.049.0	1



APPLICAZIONI / APPLICATIONS

CODICE / CODE	SILENZIATORE / MUFFLER	TUBO / PIPE	FASCETTA / CLAMP
74.H.085.LX1B	STEEL BLACK	INOX / ST. STEEL	INOX / ST. STEEL

