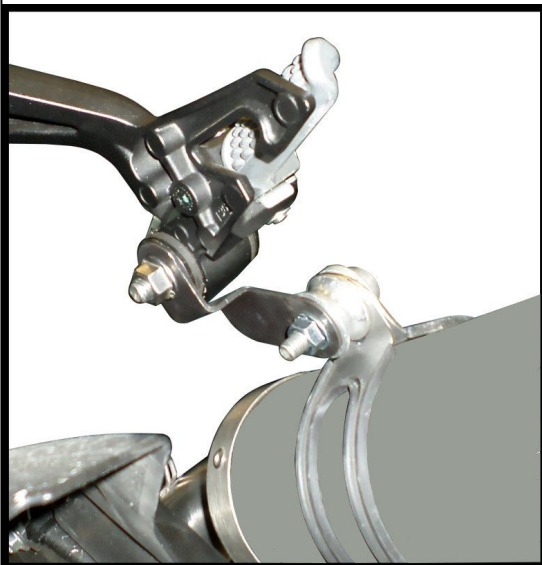
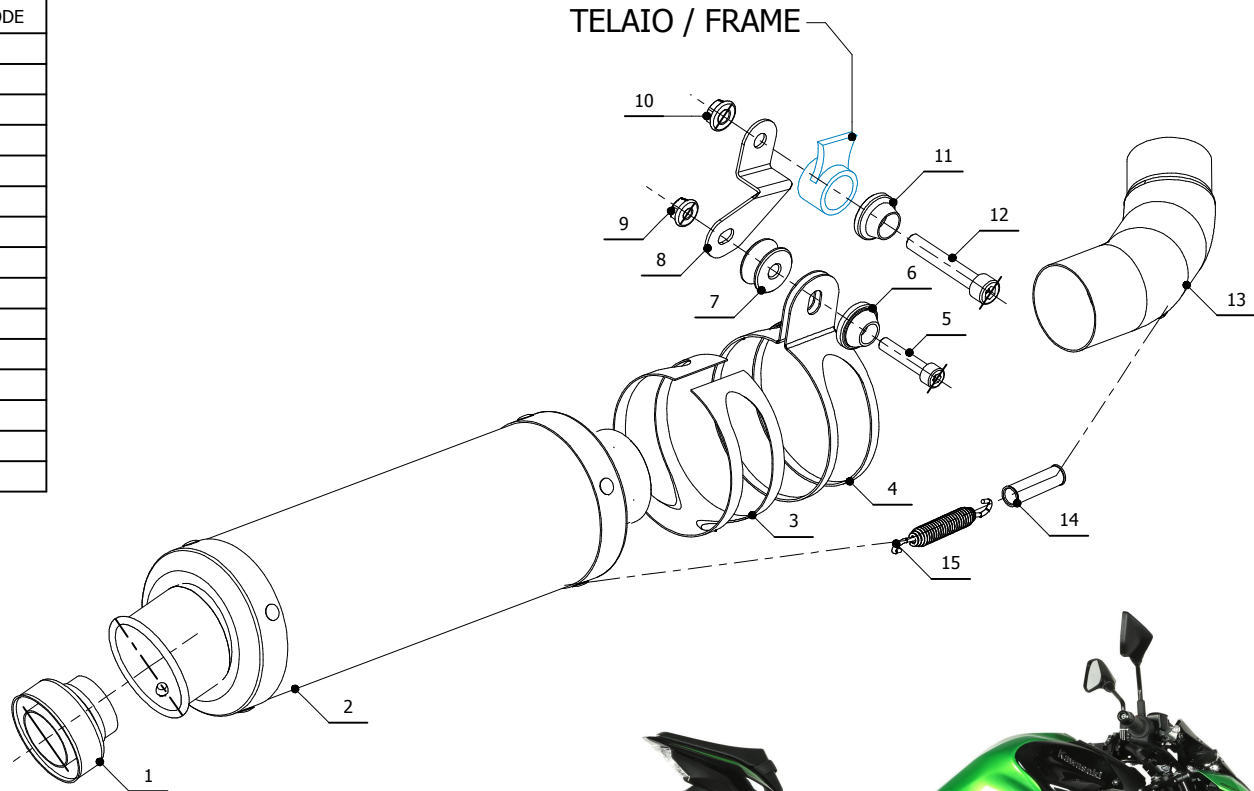
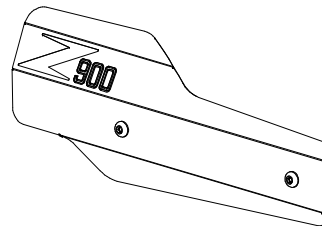


**ELENCO PARTI / PARTS LIST**

#	QTÀ / QTY	DESCRIZIONE / DESCRIPTION	CODICE / CODE
1	1	DB killer / DB killer	50.DK.067.0
2	1	Silenziatore / Muffler	GP
3	1	Protezione per staffa / Bracket protection	50.73.040.1
4	1	Staffa / Bracket	50.SS.001.0
5	1	Vite M8x40 / Screw M8x40	50.73.075.1
6	1	Rondella alluminio / Aluminium washer	50.73.291.1
7	1	Distanziale in alluminio / Aluminium spacer	50.SS.454.1
8	1	Staffa / Bracket	50.SS.991.0
9	1	Dado M8 flangiato / Flanged nut M8	50.73.393.1
10	1	Dado M10 flangiato / Flanged nut M10	50.73.332.1
11	1	Rondella in alluminio nera / Black aluminium washer	50.73.330.1
12	1	Vite M10x60 / Screw M10x60	50.73.135.1
13	1	Tube di raccordo / Link pipe	9773K052S2
14	1	Tube in gomma per molla / Rubber pipe for spring	50.73.049.0
15	1	Molla media / Mid-size spring	50.73.359.1



**PARTI OPZIONALI / OPTIONAL PARTS**



COVER IN ACCIAIO / STEEL COVER  
**50.CR.038.0**



**APPLICAZIONI / APPLICATIONS**

CODICE / CODE	MUFFLER / SILENZIATOR	TUBO / PIPE	FASCETTA / CLAMP
74.K.052.LXS	INOX / ST. STEEL	INOX / ST. STEEL	INOX / ST. STEEL
74.K.052.LXS B	STEEL BLACK		