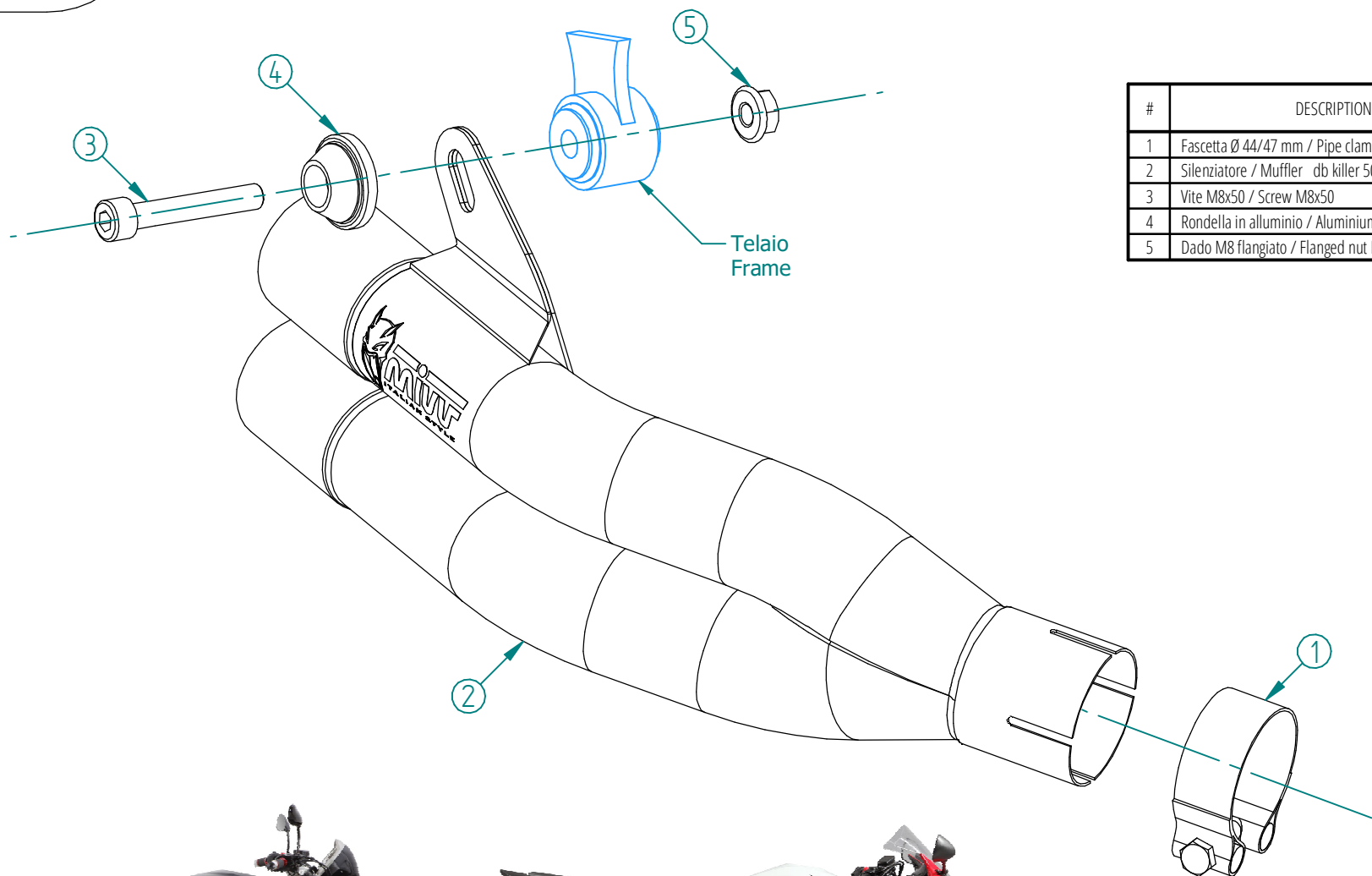




HONDA HORNET 600
HONDA CBR 600 F

2007-2013
2011-2013

DOUBLE
GUN



#	DESCRIPTION	PART NUMBER	QTY
1	Fascetta Ø 44/47 mm / Pipe clamp Ø 44/47 mm	50.FA.006.1	1
2	Silenziatore / Muffler db killer 50.DK.059.0	DOUBLE GUN	1
3	Vite M8x50 / Screw M8x50	50.73.074.1	1
4	Rondella in alluminio / Aluminium washer	50.73.291.1	1
5	Dado M8 flangiato / Flanged nut M8	50.73.052.1	1



APPLICAZIONI / APPLICATIONS		
CODICE / CODE	SILENZIATORE / MUFFLER	TUBO / PIPE
H.038.LDGK	INOX / ST. STEEL	///